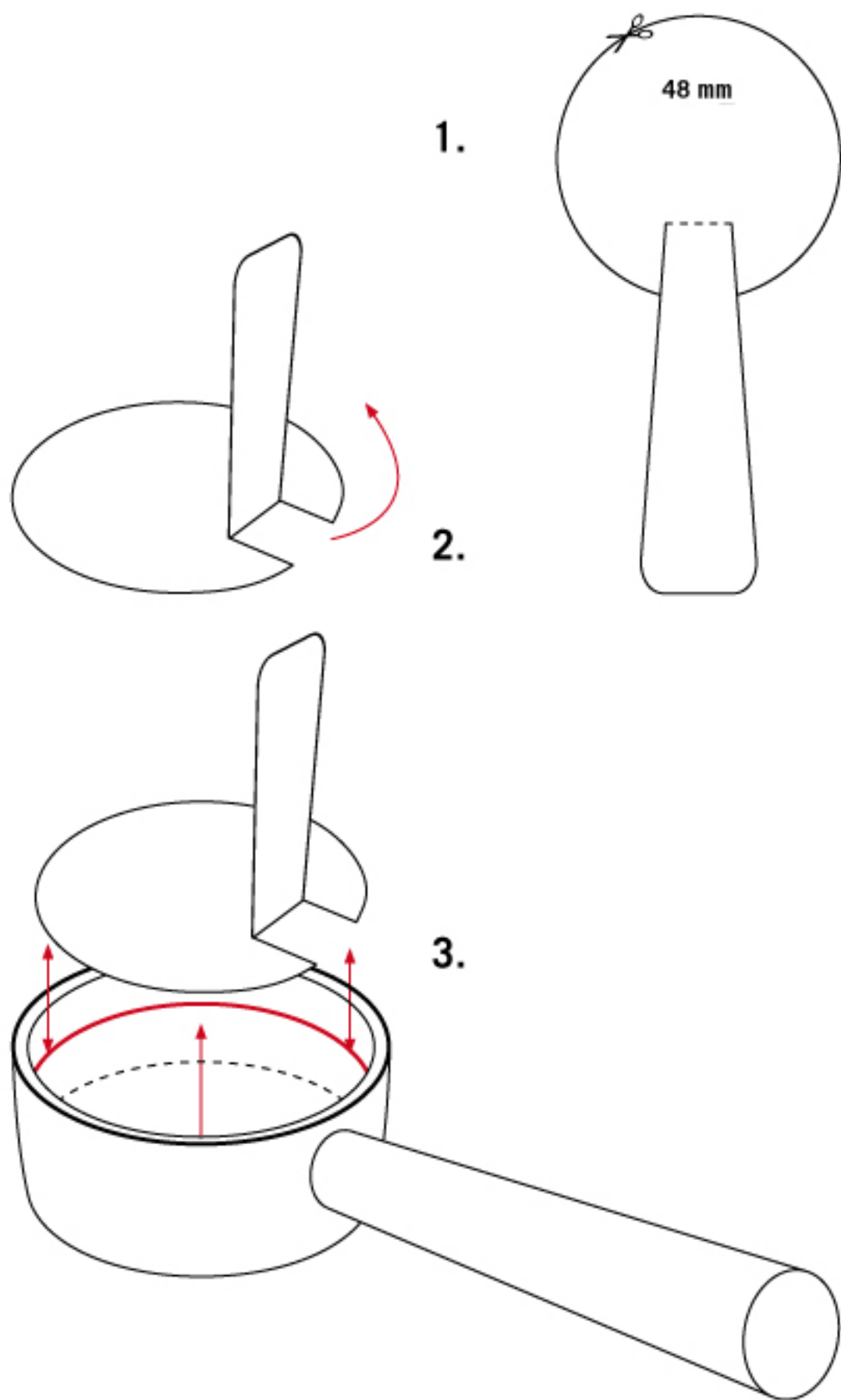
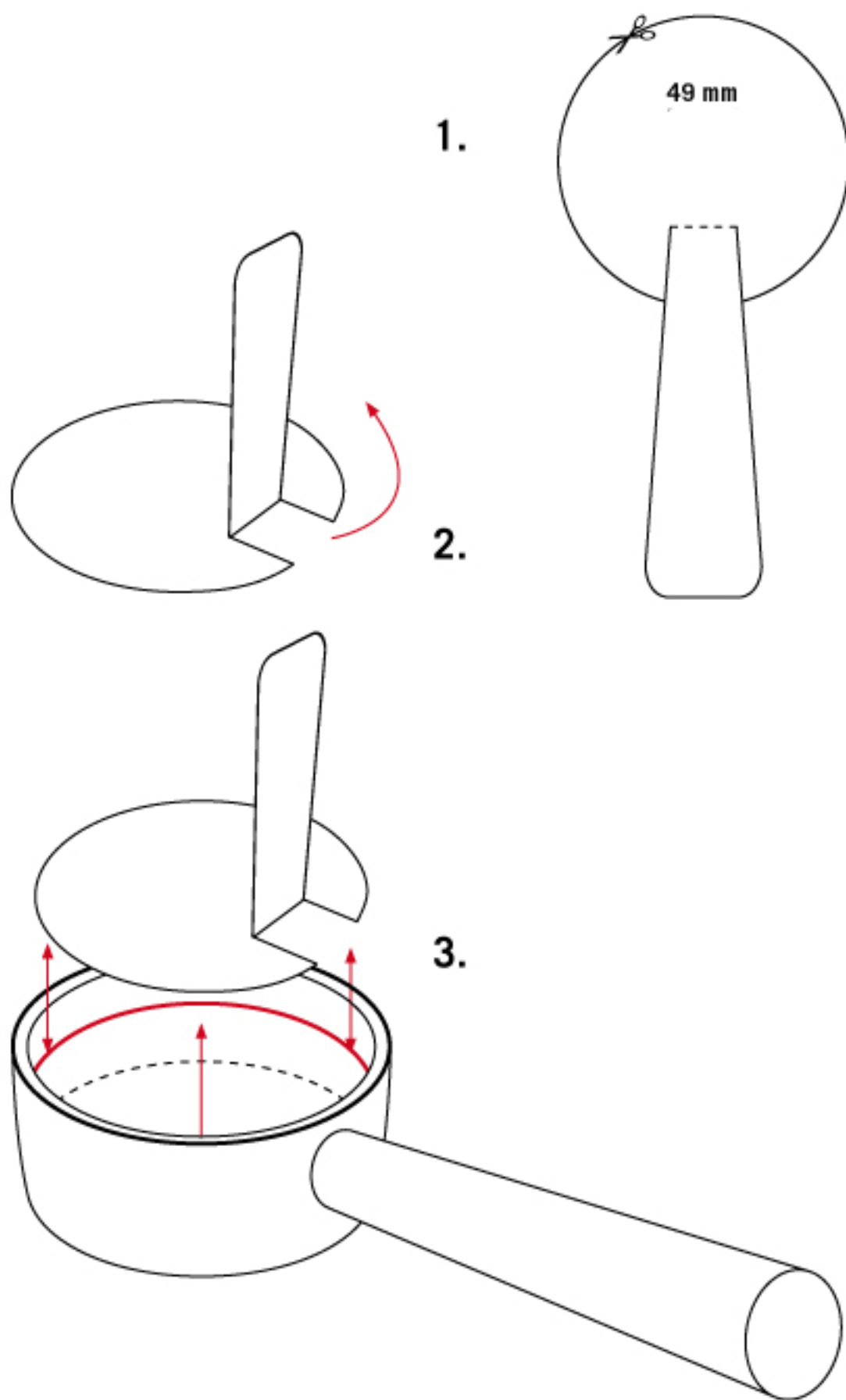


TAMPER-CHECK 48 mm

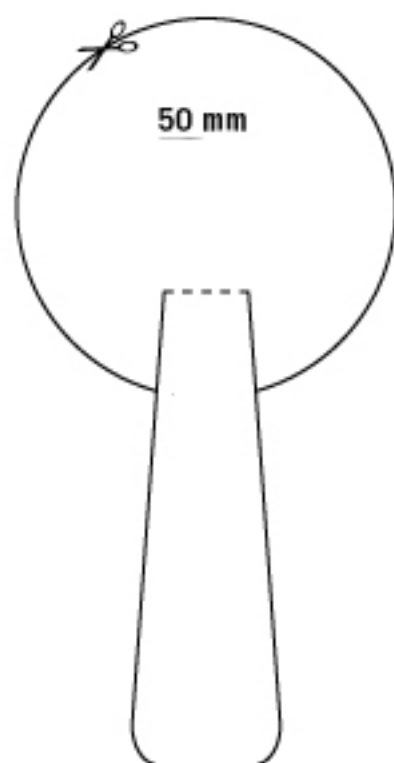


TAMPER-CHECK 49 mm

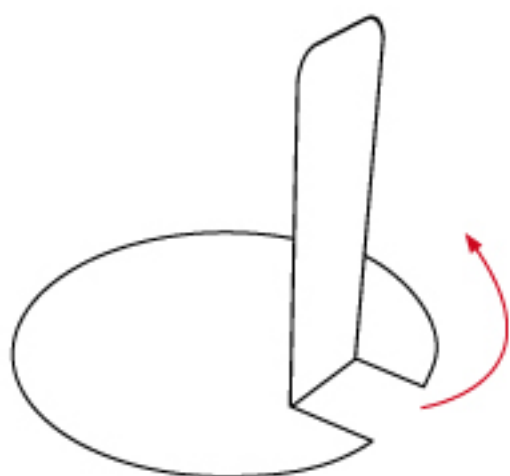


TAMPER-CHECK 50 mm

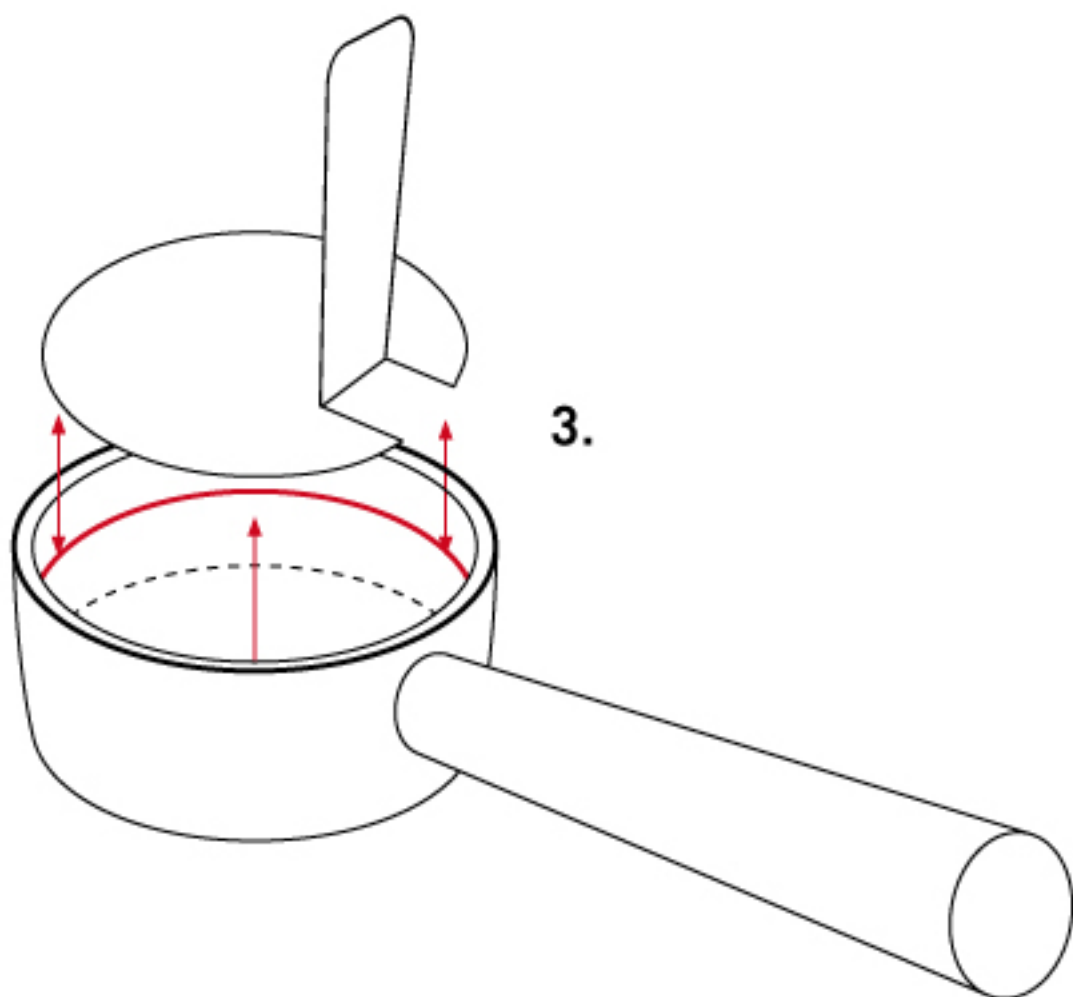
1.



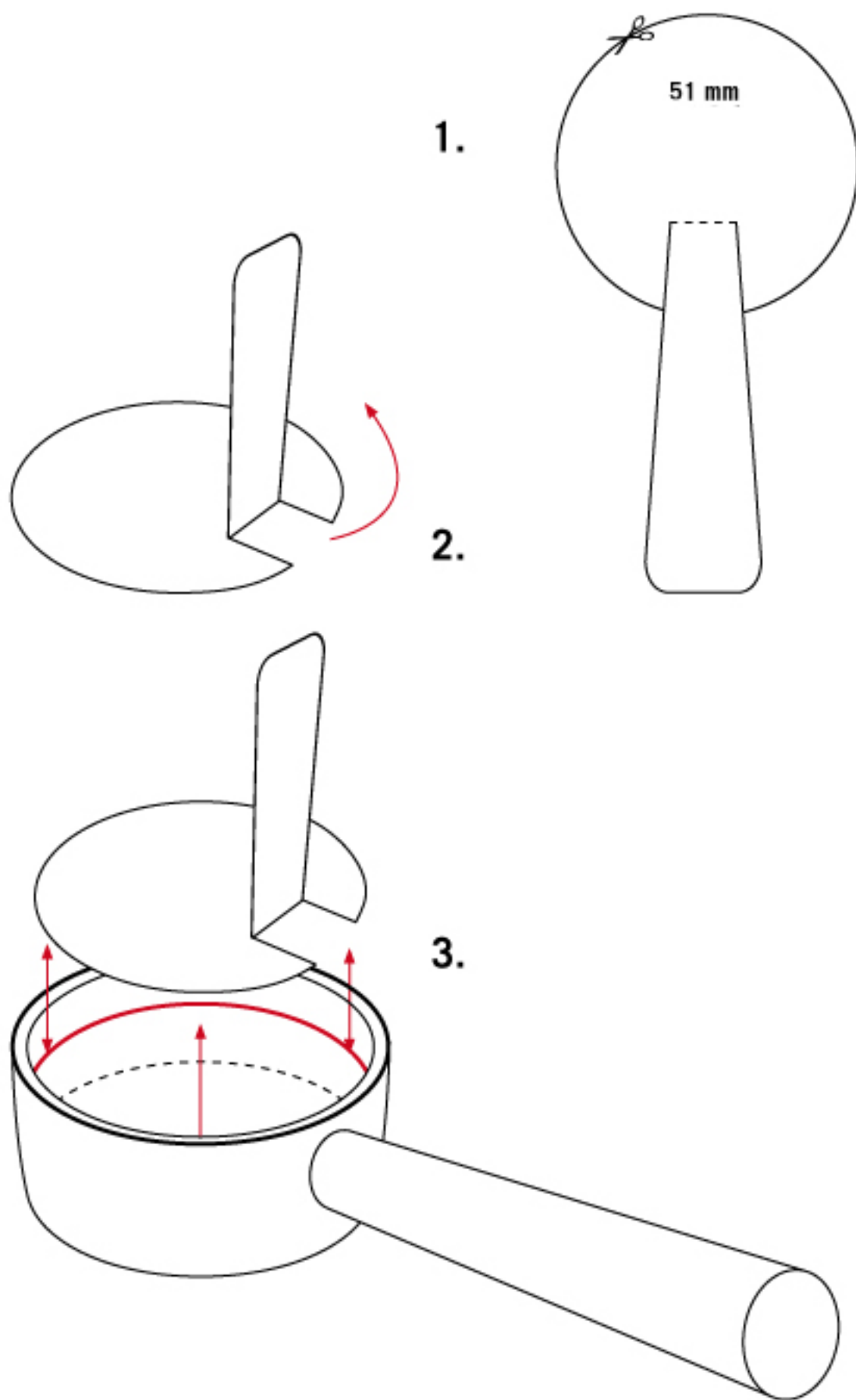
2.



3.

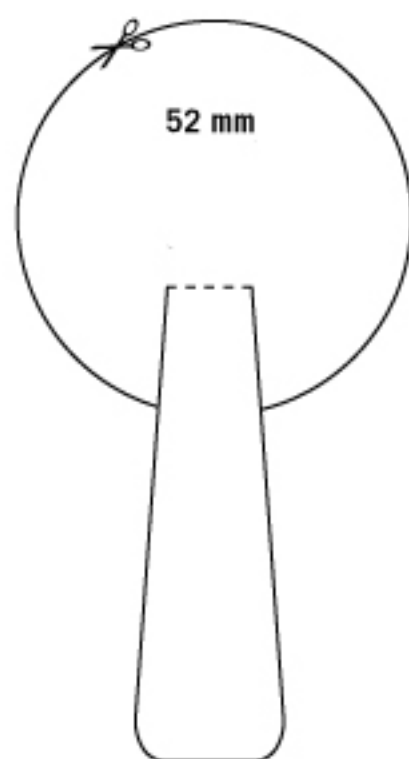


TAMPER-CHECK 51mm

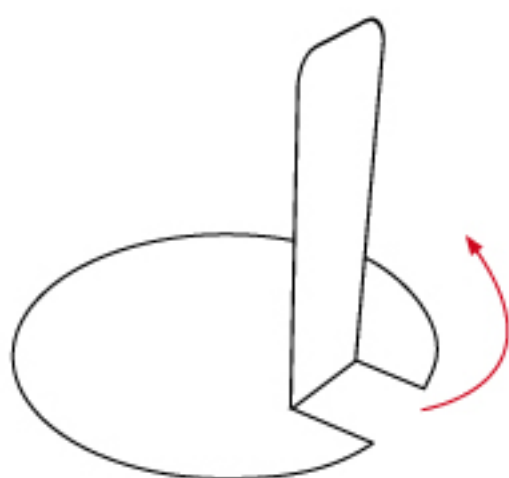


TAMPER-CHECK 52 mm

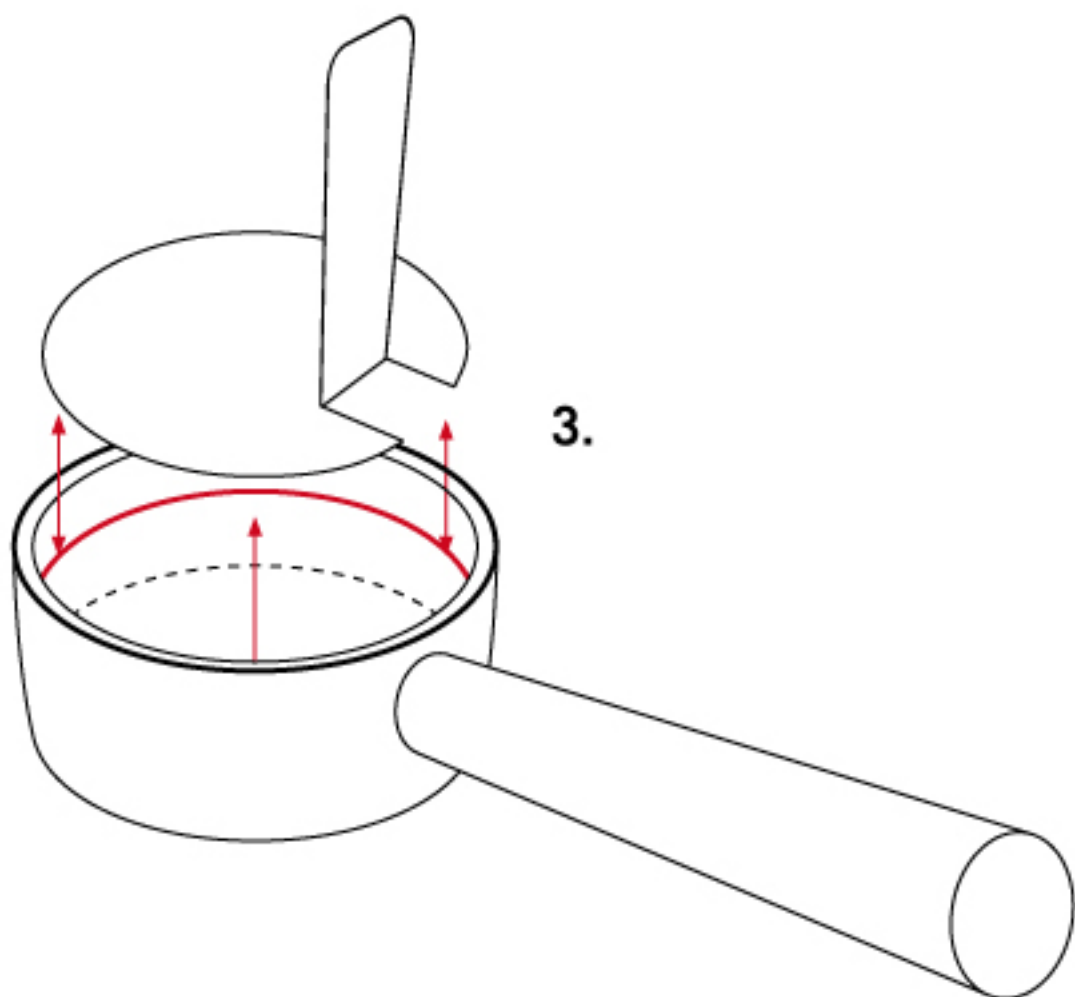
1.



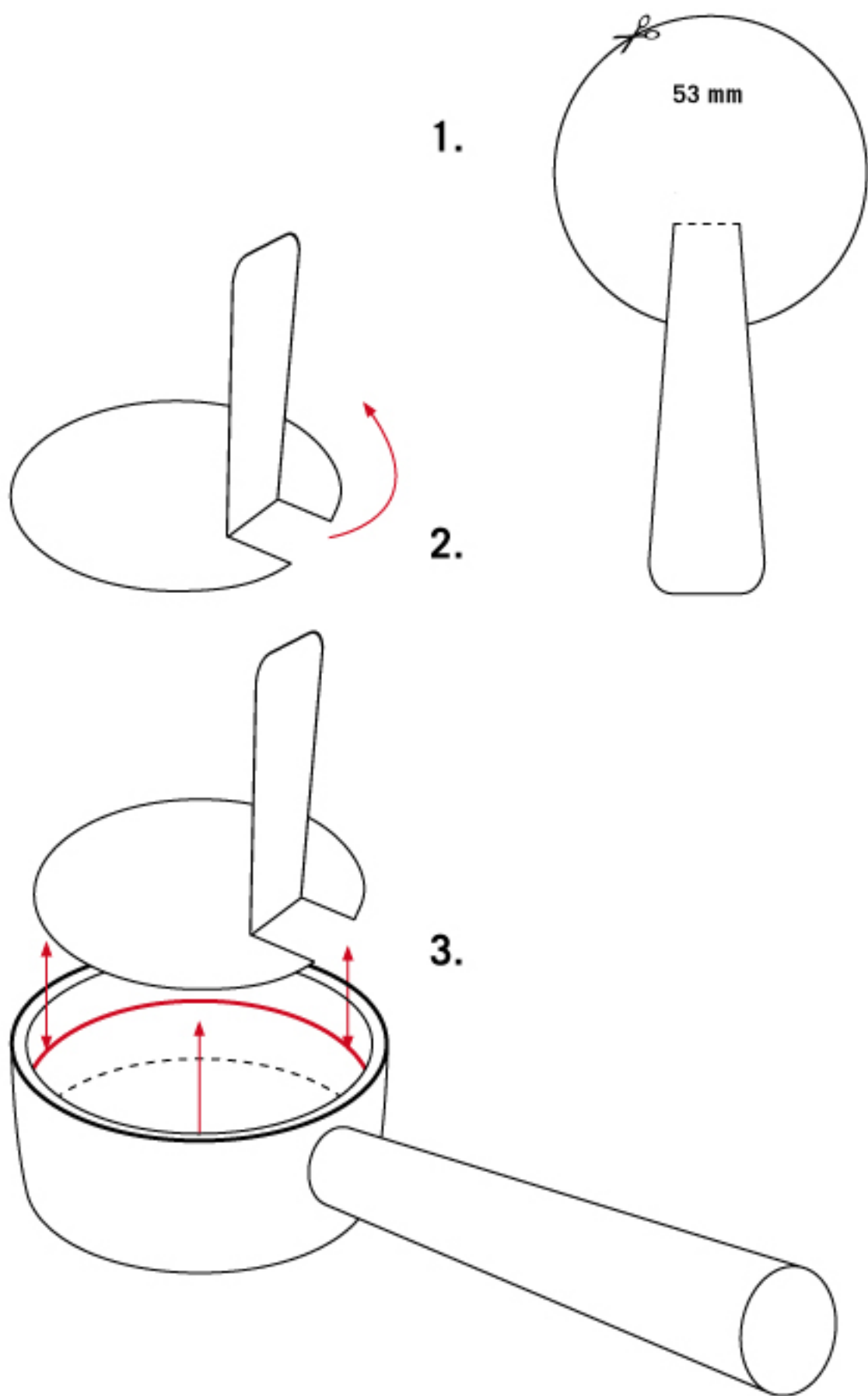
2.



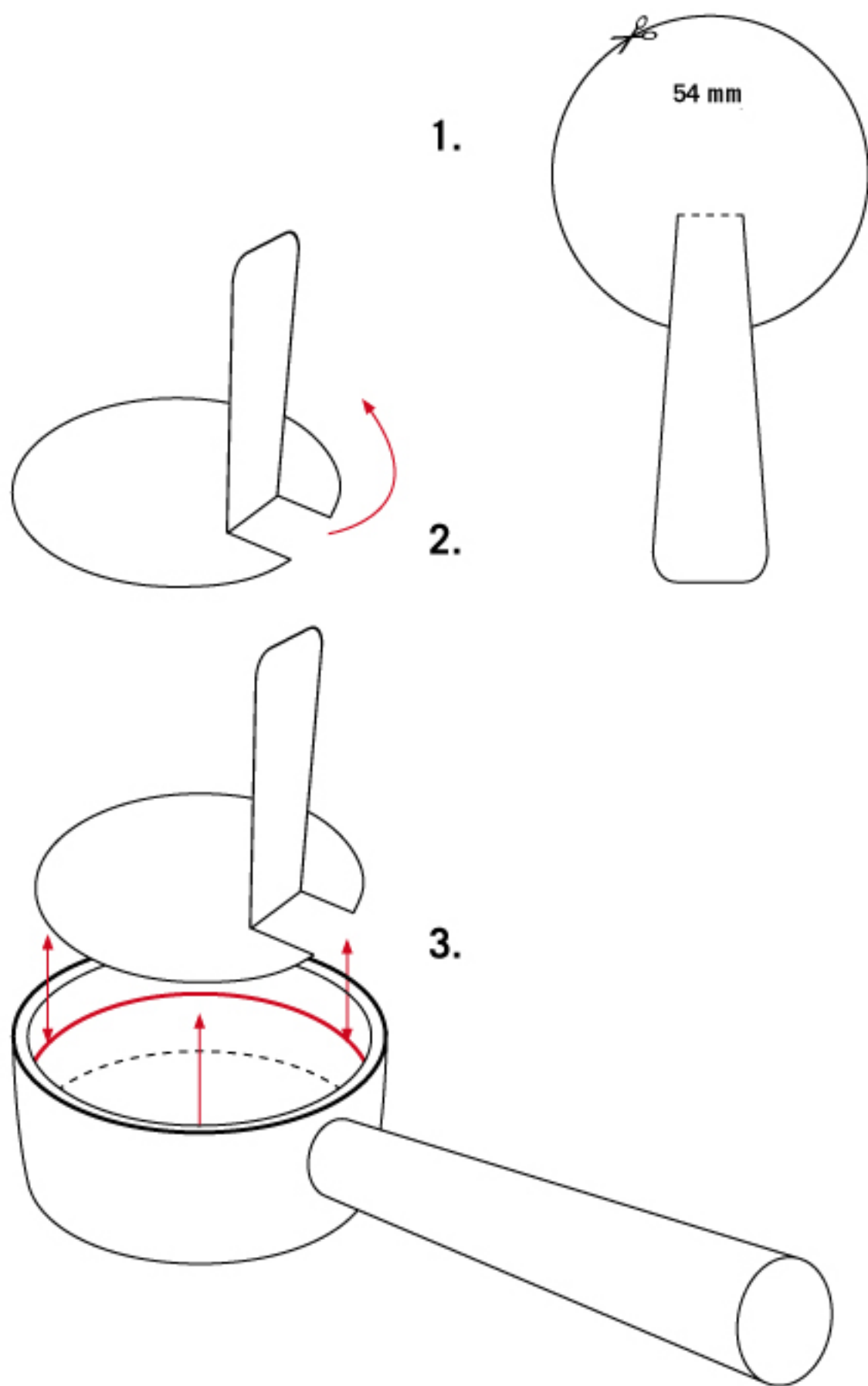
3.



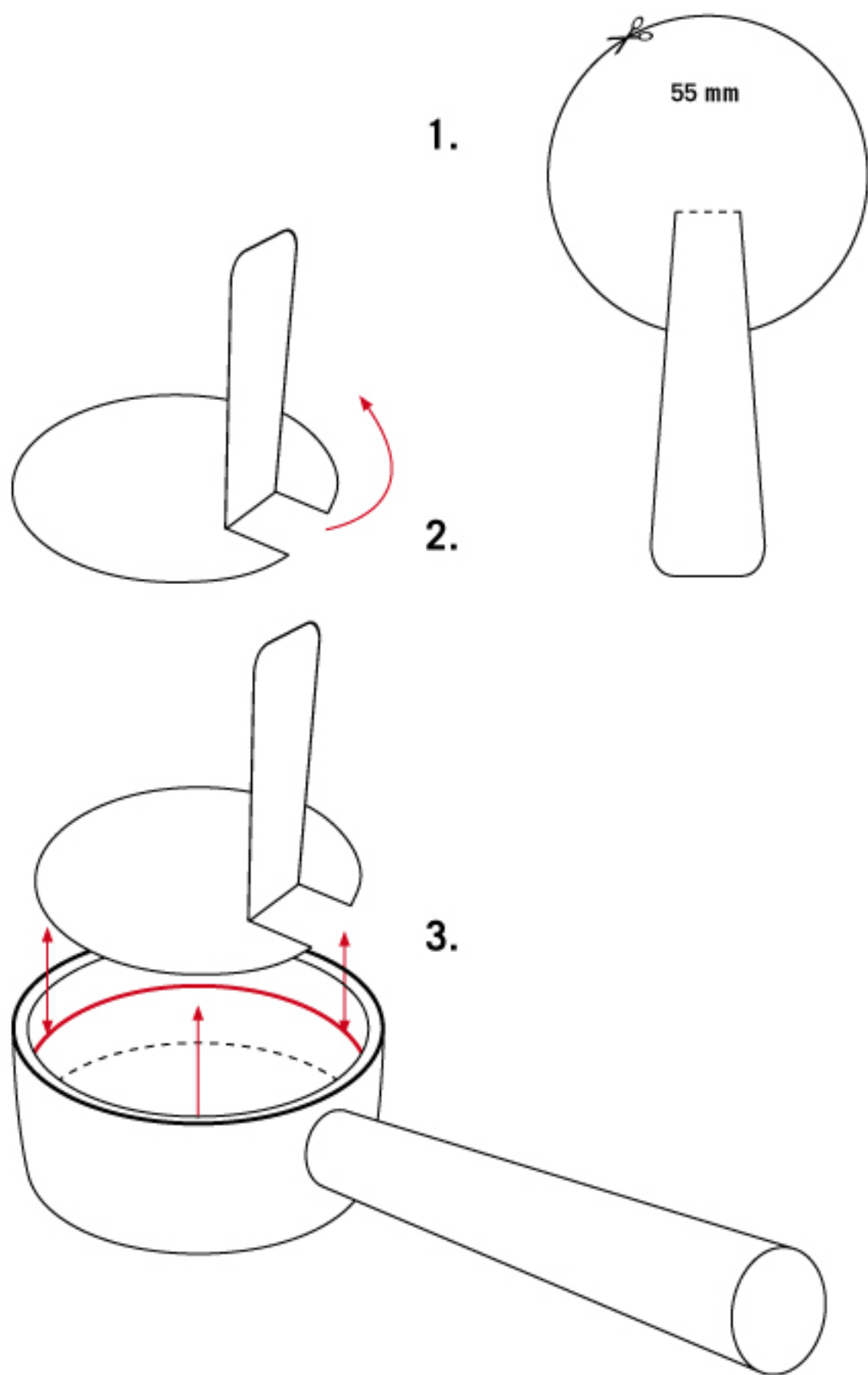
TAMPER-CHECK 53 mm



TAMPER-CHECK 54 mm

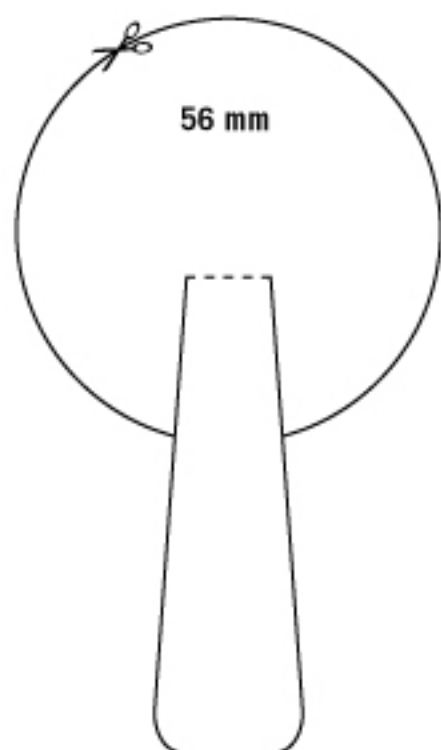


TAMPER-CHECK 55 mm

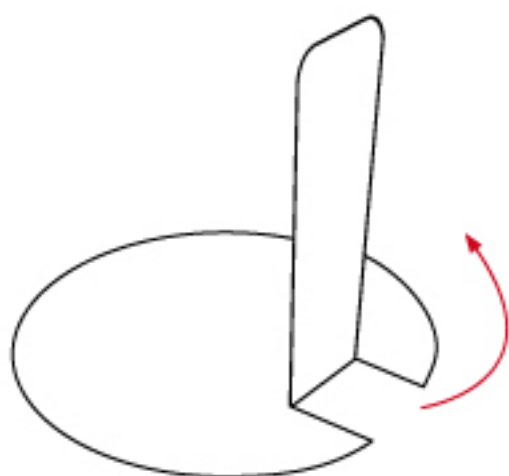


TAMPER-CHECK 56 mm

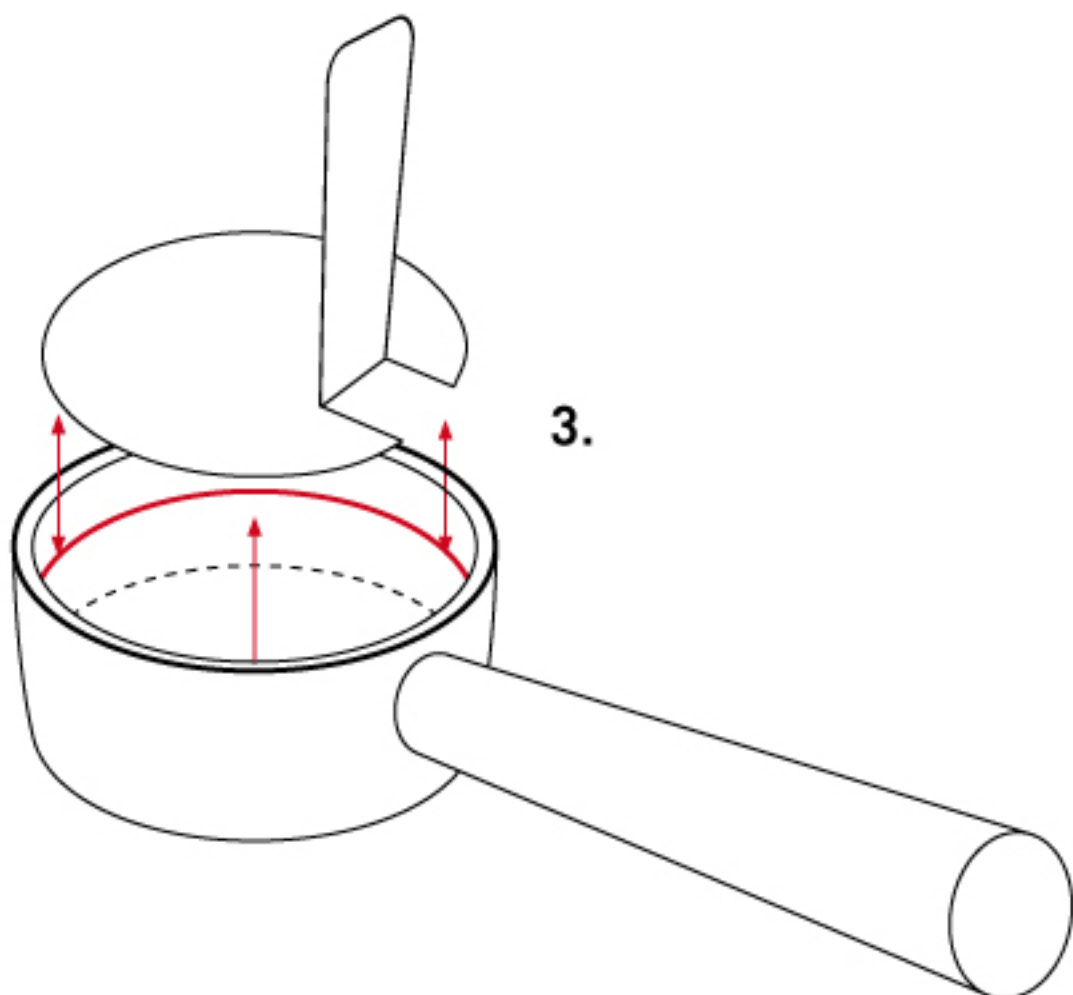
1.



2.

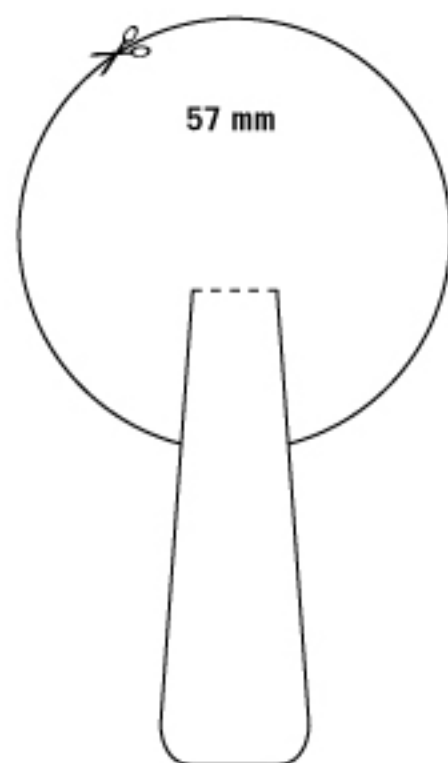


3.

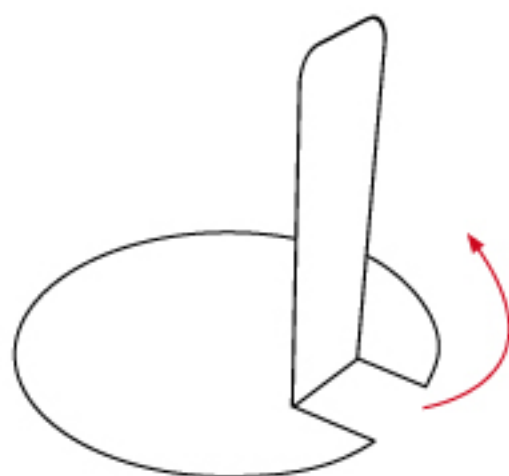


TAMPER-CHECK 57 mm

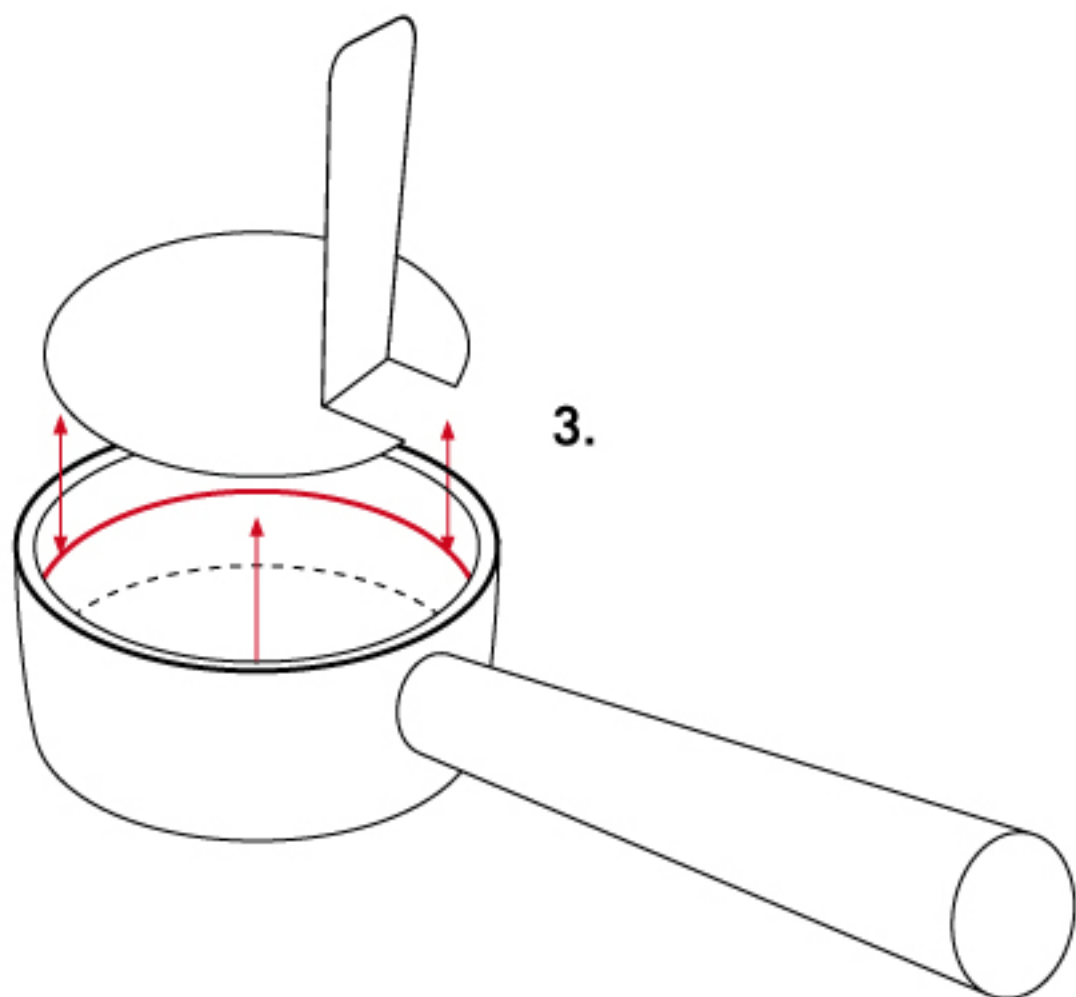
1.



2.

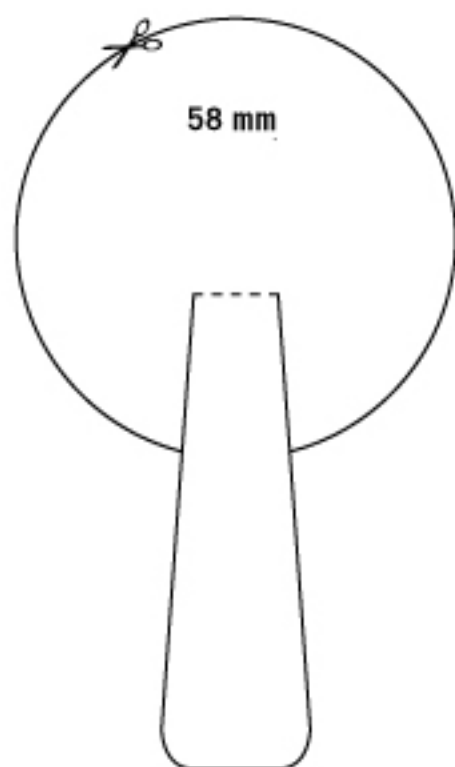


3.

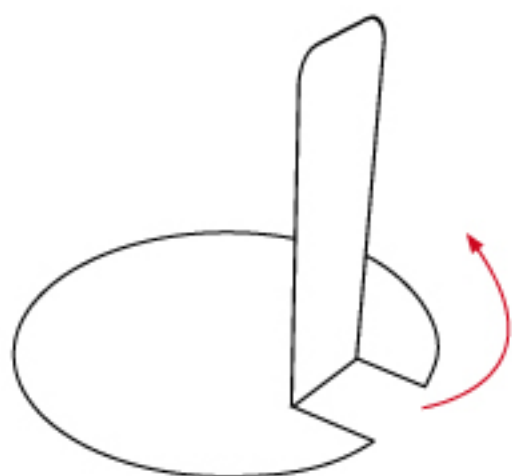


TAMPER-CHECK 58 mm

1.



2.



3.

